



Product Specification

G101EAN01.0

AU OPTRONICS CORPORATION

(V) Preliminary Specifications

() Final Specifications

Module	10.1"(10.01") WXGA 16:10 Color TFT-LCD
Model Name	G101EAN01.0
Note	<i>LED Backlight without driving circuit design</i>

Customer	Date
_____	_____
Checked & Approved by	
_____	_____
Note: This Specification is subject to change without notice.	

Approved by	Date
Grace Hung	2019/01/04
Prepared by	
Kevin Tseng	2019/01/04
General Display Business Division / AU Optronics corporation	



Product Specification

G101EAN01.0

AU OPTRONICS CORPORATION

Contents

1. Operating Precautions	4
2. General Description	5
2.1 Display Characteristics.....	5
2.2 Optical Characteristics	6
3. Functional Block Diagram	10
4. Absolute Maximum Ratings	11
4.1 Absolute Ratings of TFT LCD Module	11
4.2 Absolute Ratings of Environment	11
5. Electrical Characteristics	12
5.1 TFT LCD Module.....	12
5.2 Backlight Unit.....	18
6. Signal Characteristic	19
6.1 Pixel Format Image.....	19
6.2 Integration Interface Requirement	19
6.3 MIPI Interface Timing	21
6.4 Power ON(Wake Up)/OFF(Stand-by) sequence	22
7. Panel Reliability Test	23
7.1 Vibration Test.....	23
7.2 Shock Test.....	23
7.3 Reliability Test.....	23
8. Mechanical Characteristics	24
8.1 LCM Standard Outline Dimension (Front View)	24
8.2 LCM Standard Outline Dimension (Rear View).....	25
9. Label and Packaging	26
9.1 Shipping Label (on the rear side of TFT-LCD display)	26
9.2 Carton Label Format	26
9.3 Shipping Package of Palletizing Sequence	26



Product Specification

G101EAN01.0

AU OPTRONICS CORPORATION

1. Operating Precautions

- 1) Since front polarizer is easily damaged, please be cautious and not to scratch it.
- 2) Be sure to turn off power supply when inserting or disconnecting from input connector.
- 3) Wipe off water drop immediately. Long contact with water may cause discoloration or spots.
- 4) When the panel surface is soiled, wipe it with absorbent cotton or soft cloth.
- 5) Since the panel is made of glass, it may be broken or cracked if dropped or bumped on hard surface.
- 6) To avoid ESD (Electro Static Discharge) damage, be sure to ground yourself before handling TFT-LCD Module.
- 7) Do not open nor modify the module assembly.
- 8) Do not press the reflector sheet at the back of the module to any direction.
- 9) In case if a module has to be put back into the packing container slot after it was taken out from the container, do not press the center of the LED light bar edge. Instead, press at the far ends of the LED light bar edge softly. Otherwise the TFT Module may be damaged.
- 10) At the insertion or removal of the Signal Interface Connector, be sure not to rotate nor tilt the Interface Connector of the TFT Module.
- 11) TFT-LCD Module is not allowed to be twisted & bent even force is added on module in a very short time. Please design your display product well to avoid external force applying to module by end-user directly.
- 12) Small amount of materials having no flammability grade is used in the LCD module. The LCD module should be supplied by power complied with requirements of Limited Power Source (IEC60950 or UL1950), or be applied exemption.
- 13) Severe temperature condition may result in different luminance, response time and lamp ignition voltage.
- 14) Continuous operating TFT-LCD display under low temperature environment may accelerate lamp exhaustion and reduce luminance dramatically.
- 15) Continuous displaying fixed pattern may induce image sticking. It's recommended to use screen saver or shuffle content periodically if fixed pattern is displayed on the screen.
- 16) Disconnecting power supply before handling LCD modules, it can prevent electric shock, DO NOT TOUCH the electrode parts, cables, connectors and LED circuit part of TFT module that a LED light bar build in as a light source of back light unit. It can prevent electrostatic breakdown.



Product Specification

G101EAN01.0

AU OPTRONICS CORPORATION

2. General Description

G101EAN01.0 is a Color Active Matrix Liquid Crystal Display composed of a TFT LCD panel, a driver circuit, and LED backlight system. The screen format is intended to support the 16:10 WXGA, 800(H) x1280(V) screen and 16.7M colors (Real 8 bits) without LED backlight driving circuit. All input signals are MIPI interface compatible.

G101EAN01.0 is designed for a display unit of notebook style personal computer and industrial machine.

G101EAN01.0 is a RoHS product.

2.1 Display Characteristics

The following items are characteristics summary on the table under 25 °C condition:

Items	Unit	Specifications			
Screen Diagonal	[mm]	255.397			
Active Area	[mm]	135.36(H) x 216.576(V)			
Pixels H x V		800 x 3(RBG) x 1280			
Pixel Pitch	[mm]	0.1692 X 0.1692			
Pixel Format		R.G.B. Vertical Stripe			
Display Mode		AHVA, Normally Black			
White Luminance	[cd/m ²]	350 typ. (center point)			
Luminance Uniformity	δ_{5P} δ_{13P}	5P Max. 1.25 13P Max. 1.33			
Contrast Ratio		Typ. 1000:1, min 800:1			
Response Time	[ms]	Typ.30			
Nominal Input Voltage VDD	[Volt]	VDD=3.3V typ. / IOVCC=1.8V typ.			
Power Consumption	[Watt]	Logic: 0.4 W @ full white pattern BLU: 1.82 W max (1.76 W typ). , w/o effi.			
Weight	[Grams]	161 g Max			
Physical Size	[mm]		Min	Typ	Max
		Length		232.43	
		Width		150.3	
		Thickness	---	---	2.65 (Panel side) 4.8 (PCBA side)
Electrical Interface		MIPI			
Surface Treatment		Anti Glare			
Support Color		16.7M colors (Real 8 bits)			
Temperature Range	[°C]	0 to +50			
Operating	[°C]	-20 to +60			
Storage (Non-Operating)					
RoHS Compliance		RoHS Compliance			



Product Specification

G101EAN01.0

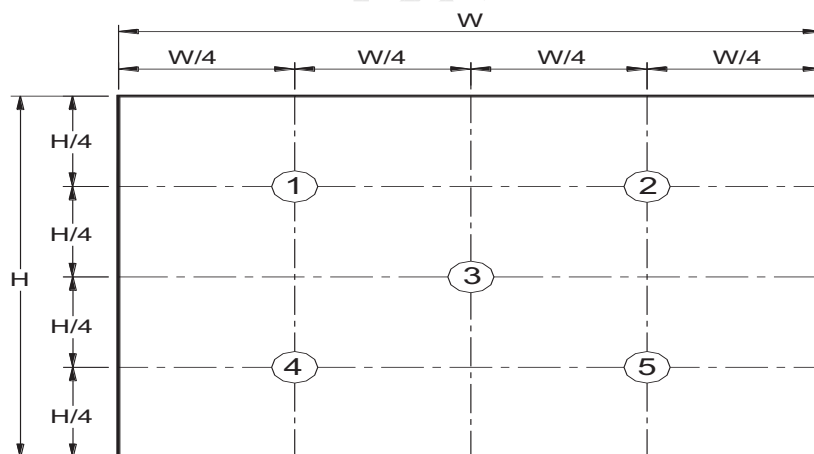
AU OPTRONICS CORPORATION

2.2 Optical Characteristics

The optical characteristics are measured under stable conditions at 25 °C (Room Temperature):

Item	Symbol	Conditions	Min.	Typ.	Max.	Unit	Note
White Luminance		5 points average	300	350	---	cd/m ²	1, 4, 5.
Viewing Angle	θ_R	Horizontal (Right) CR \geq 10 (Left)	80	85	---	degree	4, 9
	θ_L		80	85	---		
	ψ_H ψ_L	Vertical (Upper) CR \geq 10 (Lower)	80 80	85 85	---		
Luminance Uniformity	δ_{5P}	5 Points	---	---	1.25		1, 3, 4
Luminance Uniformity	δ_{13P}	13 Points	---	---	1.33		2, 3, 4
Contrast Ratio	CR		800	1000	---		4, 6
Cross talk	%		---	---	TBD		4, 7
Response Time	T_{RT}	Rising + Falling	---	30	35	msec	4, 8
Color / Chromaticity Coordinates	Red	Rx	0.578	0.608	0.638	CIE 1931	4
		Ry	0.325	0.355	0.385		
	Green	Gx	0.309	0.339	0.369		
		Gy	0.568	0.598	0.628		
	Blue	Bx	0.125	0.155	0.185		
		By	0.057	0.087	0.117		
	White	Wx	0.270	0.300	0.330		
		Wy	0.290	0.320	0.350		
	NTSC	%		55	60		

Note 1: 5 points position (Ref: Active area)



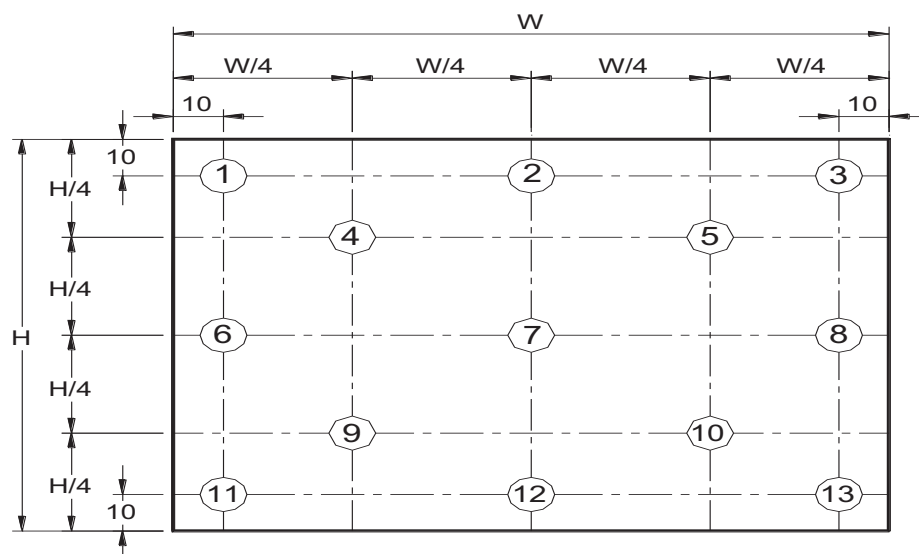


Product Specification

G101EAN01.0

AU OPTRONICS CORPORATION

Note 2: 13 points position (Ref: Active area)



Note 3: The luminance uniformity of 5 or 13 points is defined by dividing the maximum luminance values by the minimum test point luminance

$$\delta_{w5} = \frac{\text{Maximum Brightness of five points}}{\text{Minimum Brightness of five points}}$$

$$\delta_{w13} = \frac{\text{Maximum Brightness of thirteen points}}{\text{Minimum Brightness of thirteen points}}$$



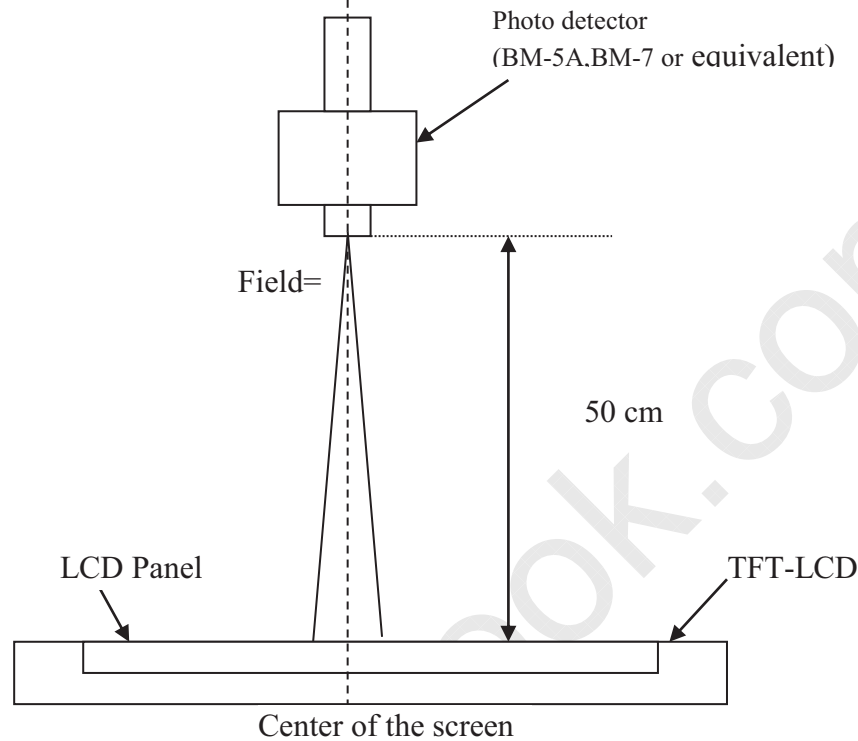
Product Specification

G101EAN01.0

AU OPTRONICS CORPORATION

Note 4: Measurement method

The LCD module should be stabilized at given temperature for 30 minutes to avoid abrupt temperature change during measuring. In order to stabilize the luminance, the measurement should be executed after lighting Backlight for 30 minutes in a stable, windless and dark room, and it should be measured in the center of screen.



Note 5 : Definition of Average Luminance of White (Y_L):

Measure the luminance of gray level 63 at 5 points · $Y_L = [L(1) + L(2) + L(3) + L(4) + L(5)] / 5$
 $L(x)$ is corresponding to the luminance of the point X at Figure in Note (1).

Note 6 : Definition of contrast ratio:

Contrast ratio is calculated with the following formula.

$$\text{Contrast ratio (CR)} = \frac{\text{Brightness on the "White" state}}{\text{Brightness on the "Black" state}}$$

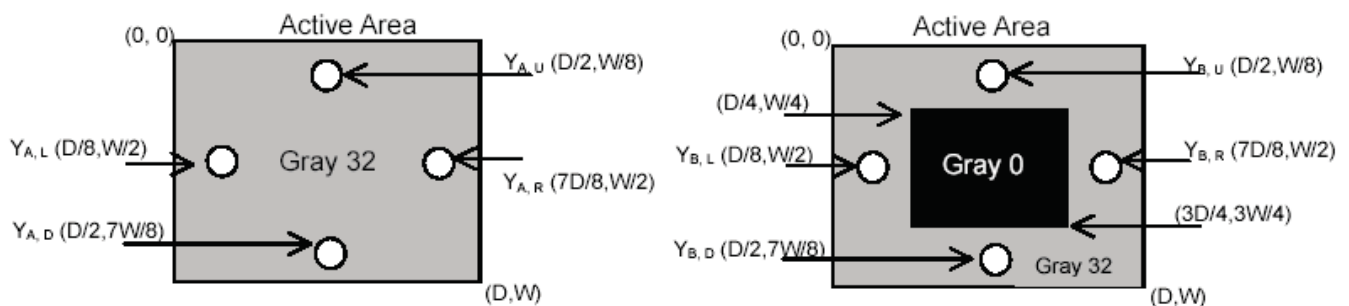
Note 7 : Definition of Cross Talk (CT)

$$CT = |Y_B - Y_A| / Y_A \times 100 (\%)$$

Where

Y_A = Luminance of measured location without gray level 0 pattern (cd/m²)

Y_B = Luminance of measured location with gray level 0 pattern (cd/m²)





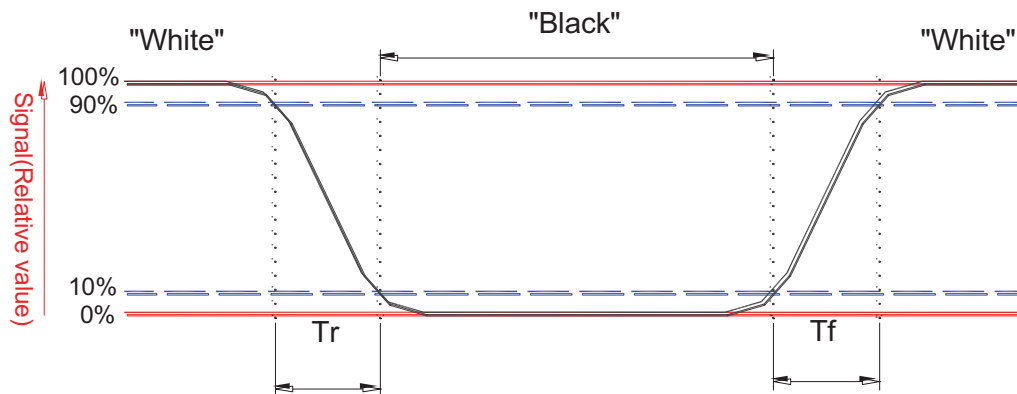
Product Specification

G101EAN01.0

AU OPTRONICS CORPORATION

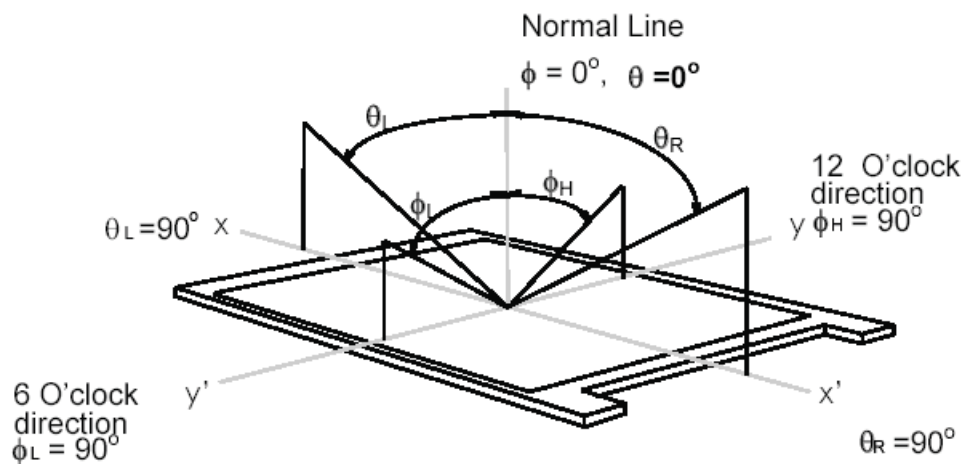
Note 8: Definition of response time:

The output signals of BM-7 or equivalent are measured when the input signals are changed from "Black" to "White" (falling time) and from "White" to "Black" (rising time), respectively. The response time interval between the 10% and 90% of amplitudes. Refer to figure as below.



Note 9. Definition of viewing angle

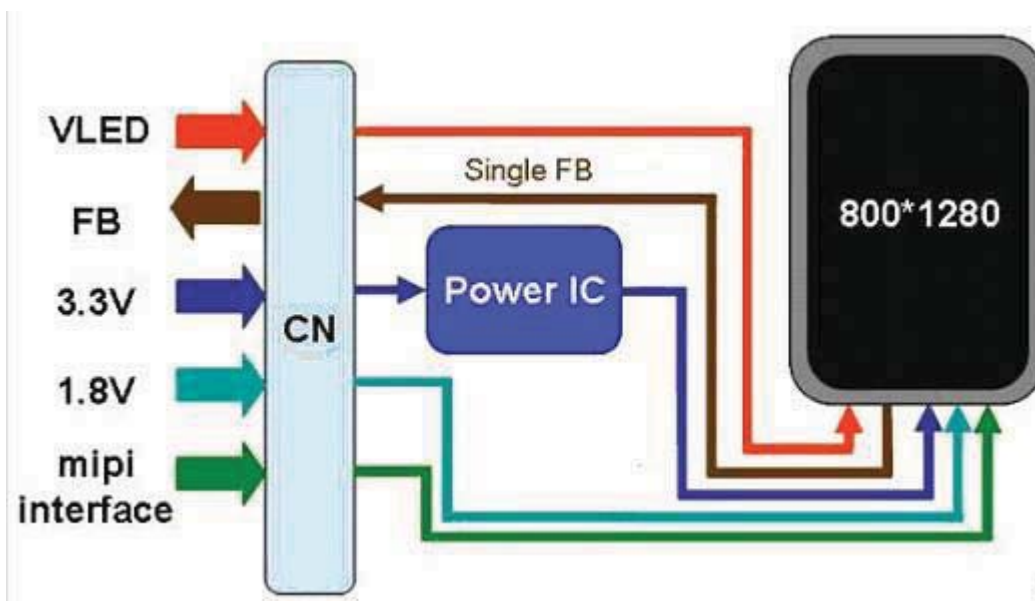
Viewing angle is the measurement of contrast ratio ≥ 10 , at the screen center, over a 180° horizontal and 180° vertical range (off-normal viewing angles). The 180° viewing angle range is broken down as follows; 90° (θ) horizontal left and right and 90° (Φ) vertical, high (up) and low (down). The measurement direction is typically perpendicular to the display surface with the screen rotated about its center to develop the desired measurement viewing angle.





3. Functional Block Diagram

The following diagram shows the functional block of the 10.1 inches wide Color TFT/LCD 39 Pin one channel Module





Product Specification

G101EAN01.0

AU OPTRONICS CORPORATION

4. Absolute Maximum Ratings

An absolute maximum rating of the module is as following:

4.1 Absolute Ratings of TFT LCD Module

Item	Symbol	Min	Max	Unit	Conditions
Logic/LCD Drive Voltage	Vin	-0.3	+4.0	[Volt]	Note 1,2

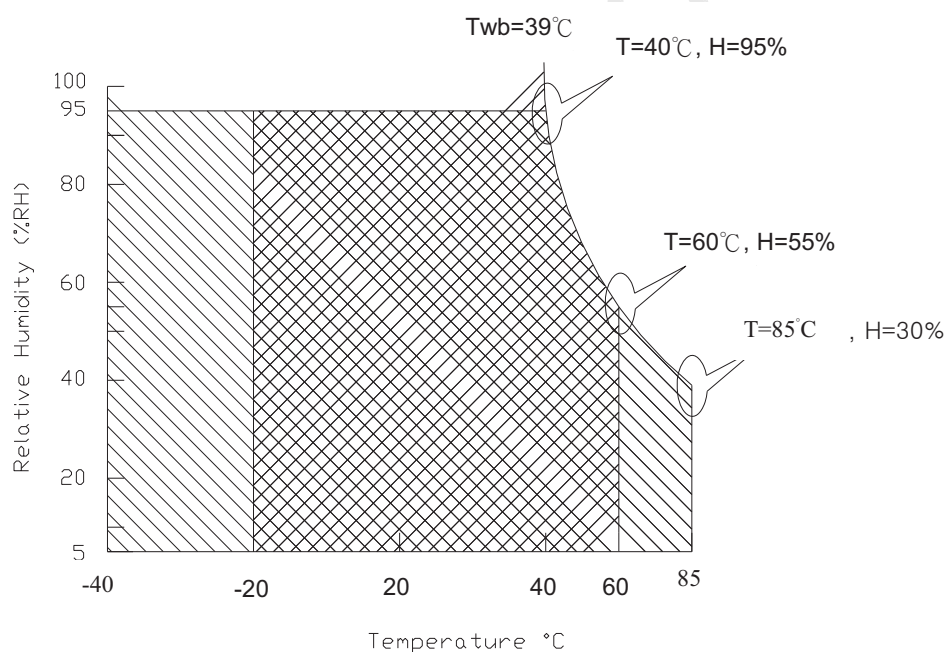
4.2 Absolute Ratings of Environment

Item	Symbol	Min	Max	Unit	Conditions
Operating Temperature	TOP	0	+50	[°C]	Note 3
Operation Humidity	HOP	5	95	[%RH]	Note 3
Storage Temperature	TST	-20	+60	[°C]	Note 3
Storage Humidity	HST	5	95	[%RH]	Note 3

Note 1: At Ta (25°C)

Note 2: Permanent damage to the device may occur if exceed maximum values

Note 3: For quality performance, please refer to AUO IIS (Incoming Inspection Standard).



Operating Range 

Storage Range  + 



Product Specification

G101EAN01.0

AU OPTRONICS CORPORATION

5. Electrical Characteristics

5.1 TFT LCD Module

5.1.1 Power Specification

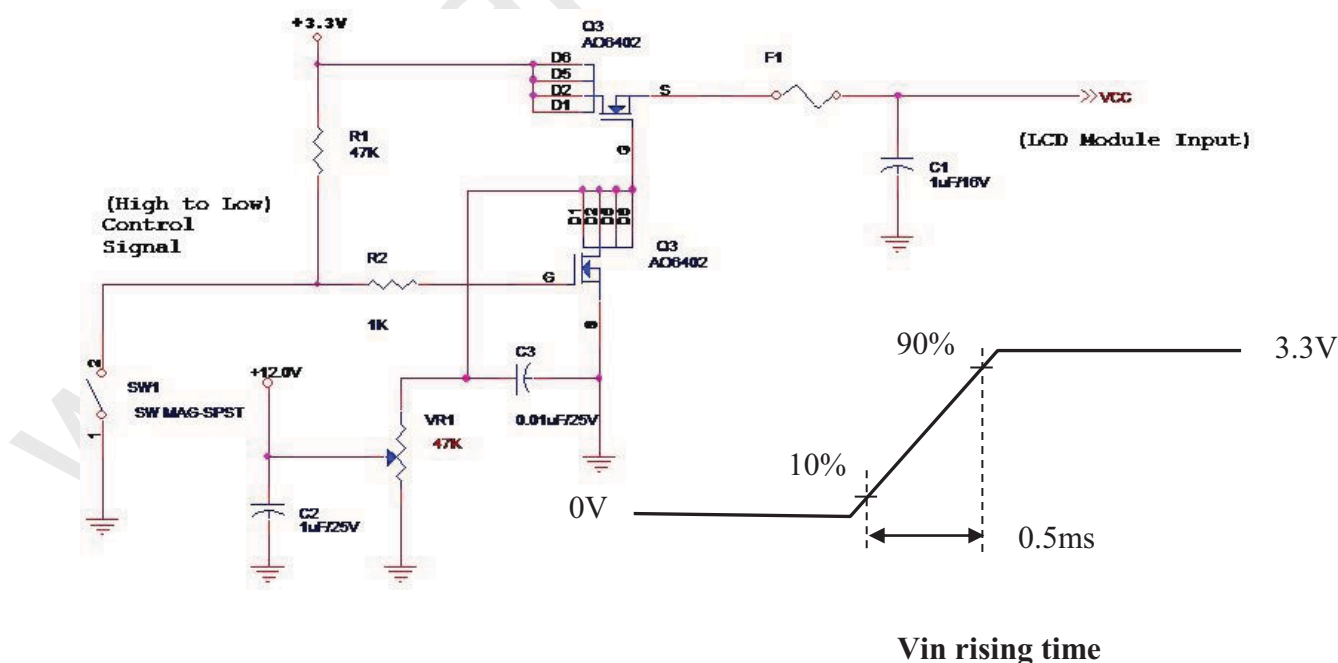
Input power specifications are as follows. The power specification are measured under 25°C and frame frequency under 60Hz

Symble	Parameter	Min	Typ	Max	Units	Note
IOVCC	Logic/LCD Drive Voltage	1.7	1.8	1.9	[Volt]	
P _{IOVCC}	IOVCC Power	-	-	0.054	[Watt]	
I _{IOVCC}	IOVCC Current(RMS)	-	30	-	[mA]	

Symble	Parameter	Min	Typ	Max	Units	Note
VDD	Logic/LCD Drive Voltage	3.0	3.3	3.6	[Volt]	
P _{VDD}	VDD Power	-	-	0.4	[Watt]	Note 1
I _{VDD}	VDD Current(RMS)	-	121	-	[mA]	
IRush	Inrush Current	-	-	1500	[mA]	Note 2
VDDrp	Allowable Logic/LCD Drive Ripple Voltage	-	-	100	[mV] p-p	

Note 1 : Maximum Measurement Condition : White Pattern at 3.3V driving voltage.

Note 2 : Measure Condition





Product Specification

G101EAN01.0

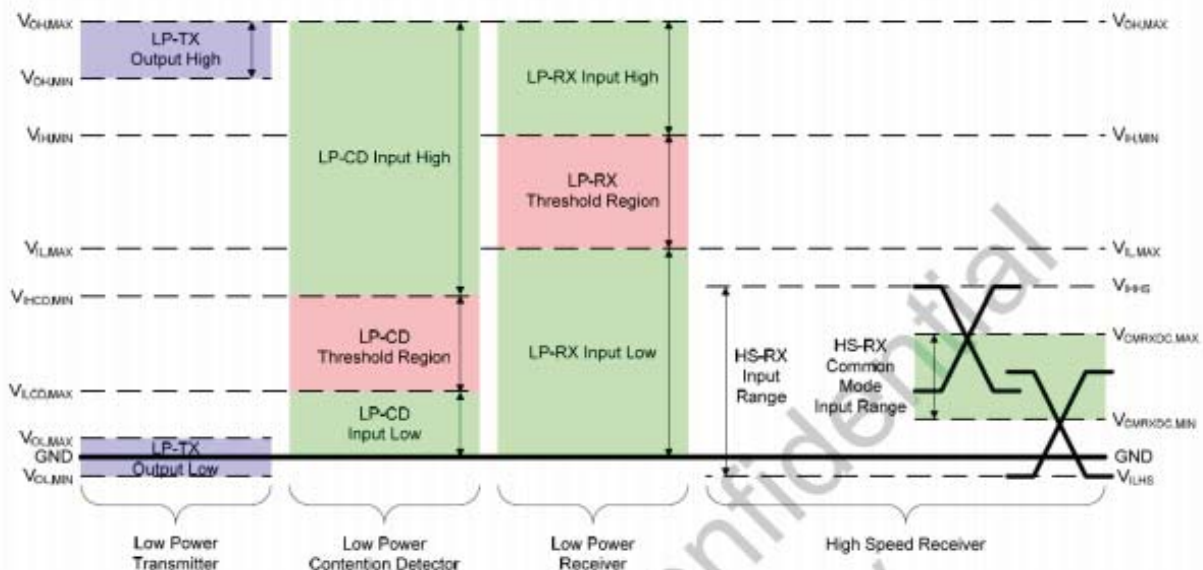
AU OPTRONICS CORPORATION

5.1.2 Signal Electrical Characteristics

Input signals shall be low or High-impedance state when VDD is off.

MIPI DC characteristics are as follows:

Parameter	Symbol	Conditions	Specification			Unit
			MIN	TYP	MAX	
Power supply voltage for MIPI Interface						
Power supply voltage for MIPI interface	VDDAM	-	1.75	2.8	6.0	V
	LVDSVDD	-	1.15	1.2	1.375	V
LPDT Input Characteristics						
Pad signal voltage range	VI	-	-50	-	1350	mV
Ground Shift	VGND SH	-	-50	-	50	mV
Logic 0 input threshold	VIL	-	0	-	550	mV
Logic 1 input threshold	VIH	-	880	-	LVDSVDD	mV
Input hysteresis	VHYST	-	25	-	-	mV
LPDT Output Characteristics						
Output low level	VOL	-	-50	-	50	mV
Output high level	VOH	-	1.1	1.2	1.3	V
Logic 1 contention threshold	VIHCD,MIN	-	450	-	LVDSVDD	mV
Logic 0 contention threshold	VILCD,MAX	-	0	-	200	mV
Output impedance of LPDT	ZOLP	-	80	100	125	ohm
Hi-speed Input/Output Characteristics						
Single-end input low voltage	VILHS	-	-40	-	-	mV
Single-end input high voltage	VIHHS	-	-	-	460	mV
Common mode voltage	VCMRXDC	-	70	-	330	mV
Hi-speed transmit voltage	VOD	-	140	200	250	mV
Differential input impedance	ZID	-	80	100	125	ohm





IC Interface Characteristics

Product Specification

G101EAN01.0

AU OPTRONICS CORPORATION

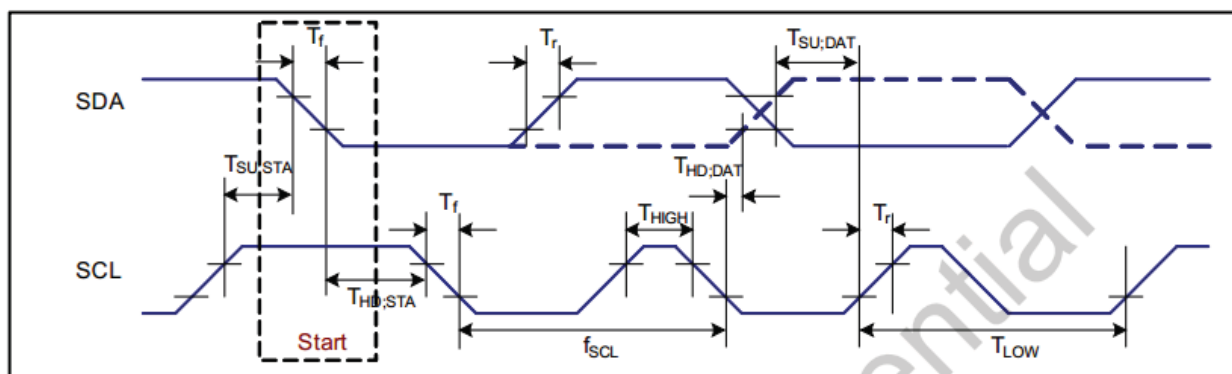


Table: I2C Interface Characteristics

Symbol	Parameter	Conditions	Min.	Typ.	Max.	Unit
f_{SCLK}	SCL clock frequency	-	DC	-	400	KHz
T_{LOW}	SCL clock LOW period	-	1.3	-	-	#s
T_{HIGH}	SCL clock HIGH period	-	0.6	-	-	#s
$T_{SU,DATA}$	data set-up time	-	100	-	-	ns
$T_{HD,DATA}$	data hold time	-	0	-	0.9	#s
T_r	SCL and SDA rise time	Note 2	$20+0.1C_b$	-	300	ns
T_f	SCL and SDA fall time	Note 2	$20+0.1C_b$	-	300	ns
T_f	SDA fall time for read out	-	$20+0.1C_b$	-	1000	ns
C_b	Capacitive load represented by each bus line	-	-	-	400	pF
$T_{SU,STA}$	Setup time for a repeated START condition	-	0.6	-	-	#s
$T_{HD,STA}$	START condition hold time	-	0.6	-	-	#s
$T_{SU,STO}$	Setup time for STOP condition	-	0.6	-	-	#s
T_{SW}	Tolerable spike width on bus	Note 1	-	-	50	ns
T_{BUF}	BUS free time between a STOP and START condition	-	1.3	-	-	#s

Note1: The device inputs SDA and SCL are filtered and will reject spikes on the bus lines of width $<t_{SW(max)}$.

Note2: The rise and fall times specified here refer to the driver device and are part of the general fast I²C-bus specification. C_b = capacitive load per bus line.

Note3: All timing values are valid within the operating supply voltage and ambient temperature ranges and are referenced to V_{L} and V_{IH} with an input voltage swing of VSS to VDD1



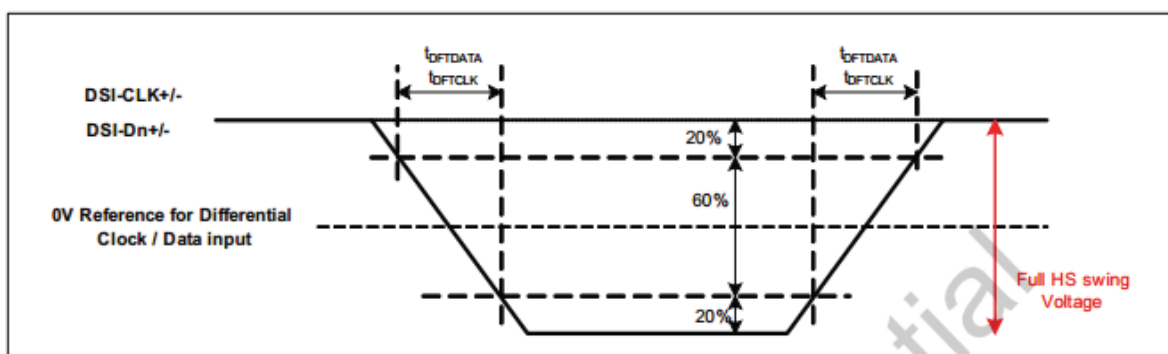
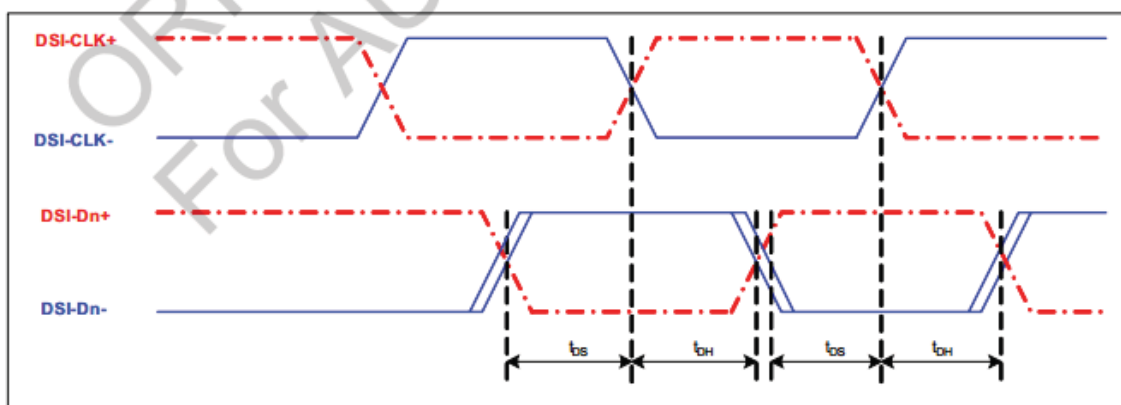
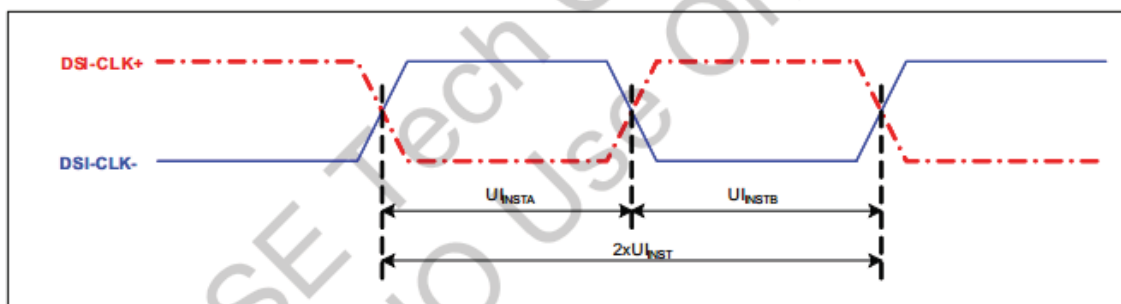
Product Specification

G101EAN01.0

AU OPTRONICS CORPORATION

MIPI High-Speed Data-clock Timing

Parameter	Symbol	Parameter	Specification			Unit
			MIN	TYP	MAX	
High Speed Mode						
DSI-CLK+/-	$2xU_{INST}$	Double UI instantaneous	2.22	-	25	ns
DSI-CLK+/-	U_{INSTA}, U_{INSTB}	UI instantaneous Halfs	1.11	-	12.5	ns
DSI-Dn+/-	t_{DS}	Data to clock setup time	0.15	-	-	UI
DSI-Dn+/-	t_{DH}	Data to clock hold time	0.15	-	-	UI
DSI-CLK+/-	t_{DRTCLK}	Differential rise time for clock	150	-	0.3UI	ps
DSI-Dn+/-	$t_{DRTDATA}$	Differential rise time for data	150	-	0.3UI	ps
DSI-CLK+/-	t_{DFTCLK}	Differential fall time for clock	150	-	0.3UI	ps
DSI-Dn+/-	$t_{DFTDATA}$	Differential fall time for data	150	-	0.3UI	ps





Product Specification

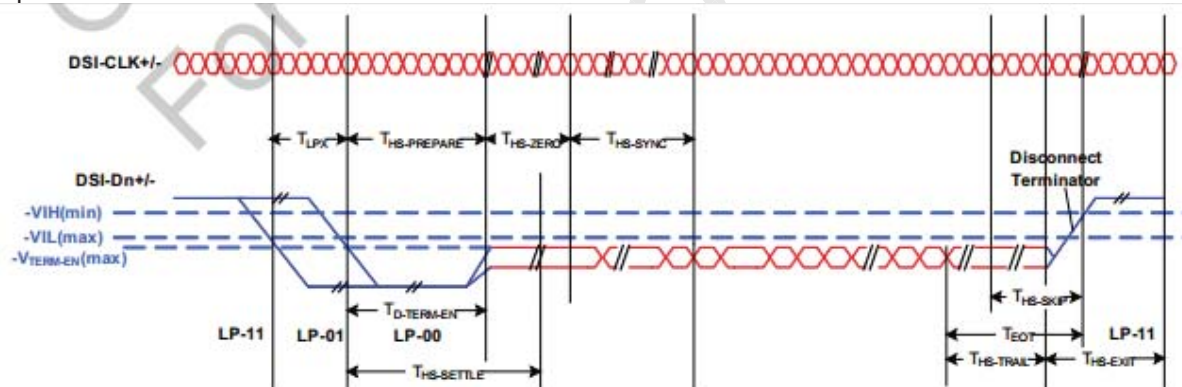
G101EAN01.0

AU OPTRONICS CORPORATION

The timing definitions are listed in below:

Parameter	Symbol	Parameter	Specification			Unit
			MIN	TYP	MAX	
High Speed Data Transmission Bursts						
DSI-Dn+/-	T_{LPX}	Length of any low-power state period	50	-	-	ns
DSI-Dn+/-	$T_{HS-PREPARE}$	Time to drive LP-00 to prepare for HS transmission	$40ns + 4UI$	-	$85ns + 6UI$	ns
DSI-Dn+/-	$T_{HS-PREPARE} + T_{HS-ZERO}$	$T_{HS-PREPARE}$ + time to drive HS-0 before the sync sequence	$145ns + 10UI$	-	-	ns
DSI-Dn+/-	$T_{D-TERM-EN}$	Time to enable Data Lane receiver line termination measured from when Dn crosses $V_{IL(max)}$	Time for Dn to reach $V_{TERM-EN}$	-	$35ns + 4UI$	ns
DSI-Dn+/-	$T_{HS-SKIP}$	Time-out at RX to ignore transition period of EoT	40	-	$55ns + 4UI$	ns
DSI-Dn+/-	$T_{HS-TRAIL}$	Time to drive flipped differential state after last payload data bit of a HS transmission burst	max (8UI, $60ns + 4UI$)	-	-	ns
DSI-Dn+/-	$T_{HS-EXIT}$	Time to drive LP-11 after HS burst	100	-	-	ns
DSI-Dn+/-	T_{EoT}	Time from start of $T_{HS-TRAIL}$ period to start of LP-11 state	-	-	$105ns + 12UI$	ns

High-Speed Data Transmission in Bursts





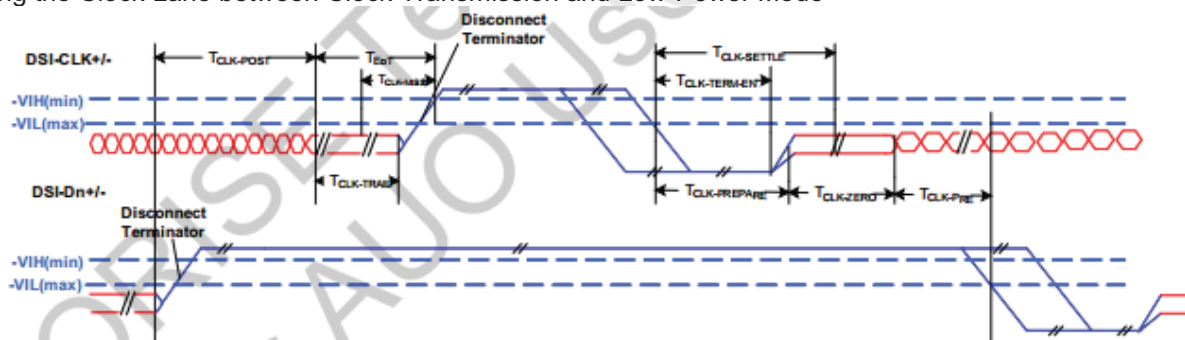
Product Specification

G101EAN01.0

AU OPTRONICS CORPORATION

Parameter	Symbol	Parameter	Specification			Unit
			MIN	TYP	MAX	
Switching the clock Lane between clock Transmission and Low Power Mode						
DSI-CLK+/-	$T_{CLK-POST}$	Time that the transmitter shall continue sending HS clock after the last associated Data Lane has transitioned to LP mode	$60ns + 52UI$	-	-	ns
DSI-CLK+/-	$T_{CLK-PRE}$	Time that the HS clock shall be driven prior to any associated Data Lane beginning the transition from LP to HS mode	8	-	-	UI
DSI-CLK+/-	$T_{CLK-PREPARE}$	Time to drive LP-00 to prepare for HS clock transmission	38	-	95	ns
DSI-CLK+/-	$T_{CLK-TERM-EN}$	Time to enable Clock Lane receiver line termination measured from when Dn crosses $V_{IL(max)}$	Time for Dn to reach $V_{TERM-EN}$	-	38	ns
DSI-CLK+/-	$T_{CLK-PREPARE} + T_{CLK-ZERO}$	$T_{CLK-PREPARE}$ + time for lead HS-0 drive period before starting Clock	300	-	-	ns
DSI-CLK+/-	$T_{CLK-TRAIL}$	Time to drive HS differential state after last payload clock bit of a HS transmission burst	60	-	-	ns
DSI-CLK+/-	T_{EoT}	Time from start of $T_{CLK-TRAIL}$ period to start of LP-11 state	-	-	$105ns + 12UI$	ns

Switching the Clock Lane between Clock Transmission and Low-Power Mode





Product Specification

G101EAN01.0

AU OPTRONICS CORPORATION

5.2 Backlight Unit

5.2.1 LED characteristic

Following characteristics are measured under a stable condition using an inverter at 25°C (Room Temperature):

Parameter	Symbol	Min	Typ	Max	Units	Condition
Backlight Power Consumption (W/O Efficiency)	PLED			1.82	[Watt]	Note 1 (Ta= 25°C)
LED Forward Voltage	VF	2.8	2.95	3.2	[Volt]	(Ta= 25°C)
LED Forward Voltage of every LED string	Vf-string	19.6	20.65	22.4	[Volt]	
LED Forward Current	IF		21		[mA]	(Ta= 25°C)
LED Life time	N/A	≥ 15000			Hour	Note 1 (Ta=25°C)

Note 1: calculator value for reference PLED based on 20 mA



Product Specification

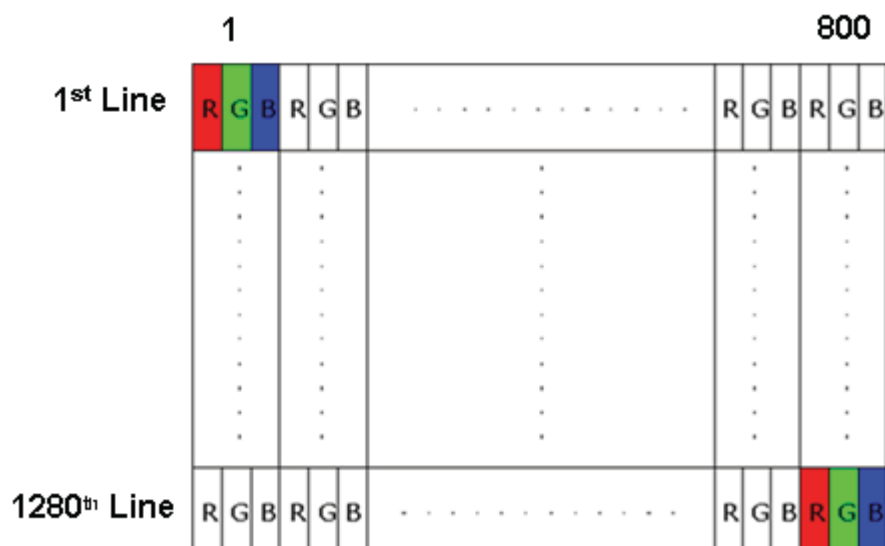
G101EAN01.0

AU OPTRONICS CORPORATION

6. Signal Characteristic

6.1 Pixel Format Image

Following figure shows the relationship between input signal and LCD pixel format.



6.2 Integration Interface Requirement

6.2.1 MIPI/TP Connector Description

Physical interface is described as for the connector on module.

These connectors are capable of accommodating the following signals and will be following components.

Connector Name / Designation	For Signal Connector
Manufacturer	Hirose
Type / Part Number	FH26W-39S-0.3SHW
Mating Housing/Part Number	FPC or Compatible



Product Specification

G101EAN01.0

AU OPTRONICS CORPORATION

6.2.2 MIPI Pin Assignment

MIPI is a differential signal technology for LCD interface and high speed data transfer device.

Pin No.	Symbol	Description	I/O
1	NC	NC	-
2	NC	NC	-
3	NC	NC	-
4	FB4	LED-	P
5	FB3	LED-	P
6	FB2	LED-	P
7	FB1	LED-	P
8	NC	NC	-
9	VLED	LED+	P
10	VLED	LED+	P
11	VLED	LED+	P
12	NC	7.5V For VPP	-
13	LED PWMIn	NC	I
14	LED PWMout	LED PWMout 1.8v	O
15	ID	ID(GND for AUO)	I/O
16	LCD_RST	Reset	I
17	NC	NC	-
18	NC	NC	-
19	VDD	3.3V	P
20	VDD	3.3V	P
21	VDD	3.3V	P
22	IOVCC	1.8V	P
23	IOVCC	1.8V	P
24	GND	GND	P
25	D3P	MIPI Input Data Pair D3P	I
26	D3N	MIPI Input Data Pair D3N	I
27	GND	GND	P
28	D2P	MIPI Input Data Pair D2P	I
29	D2N	MIPI Input Data Pair D2N	I
30	GND	GND	P
31	CLKP	MIPI Input Data Pair CLKP	I
32	CLKN	MIPI Input Data Pair CLKN	I
33	GND	GND	P
34	D1P	MIPI Input Clock Pair D1P	I
35	D1N	MIPI Input Clock Pair D1N	I
36	GND	GND	P
37	D0P	MIPI Input Data Pair D0P	I
38	D0N	MIPI Input Data Pair D0N	I
39	GND	GND	I



Product Specification

G101EAN01.0

AU OPTRONICS CORPORATION

6.3 MIPI Interface Timing

6.3.1 Timing Characteristics

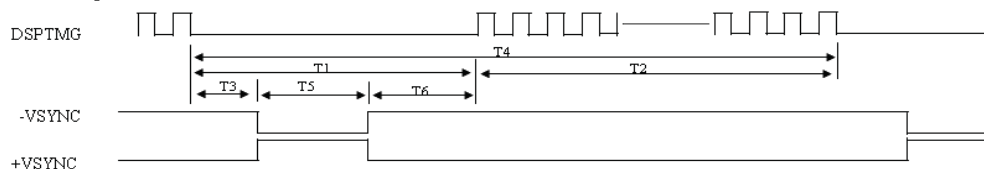
Basically, interface timings should match the 800 x 1280 /60 Hz manufacturing guide line timing.

Vertical Total	VT (tv)	1300	line
Vertical Front-Porch	VFP (tvfp)	8	line
Vertical Active	VA (tvd)	1280	line
Vertical Sync.	VS (twv)	4	line
Vertical Back-Porch	VBP (tvbp)	8	line
Horizontal Total	HT (th)	960	clk(pixel)
Horizontal Front-Porch	HFP (thfp)	24	clk(pixel)
Horizontal Active	HA (thd)	800	clk(pixel)
Horizontal Sync.	HS (thw)	4	clk(pixel)
Horizontal Back-Porch	HBP (thbp)	132	clk(pixel)
Pixel Frequency	CLK (fc)	75.00	MHz

Driving

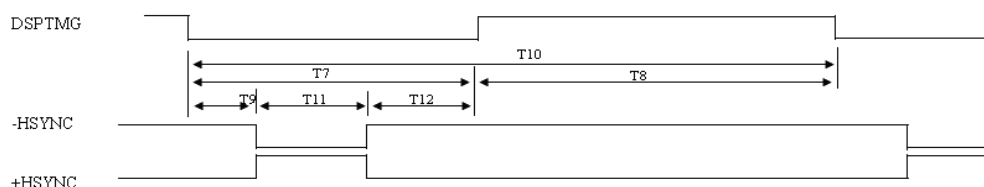
(LVDS Receiver Output)

Vertical Timing



Item	T1 Vertical Blanking	T2 Active Field	T3 VSYNC Front Porch	T4 Frame Time	T5 VSYNC Width	T6 VSYNC Back Porch
Value	20	1280	8	1300	4	8

Horizontal Timing



Item	T7 Horizontal Blanking	T8 Active Field	T9 HSYNC Front Porch	T10 H line Time	T11 HSYNC Width	T12 HSYNC Back Porch
Value	160	800	24	960	4	132

Dot Timing

Item	Dot Clock Frequency	Data Clock Frequency
Value	75MHz	Dot Clock Frequency



Product Specification

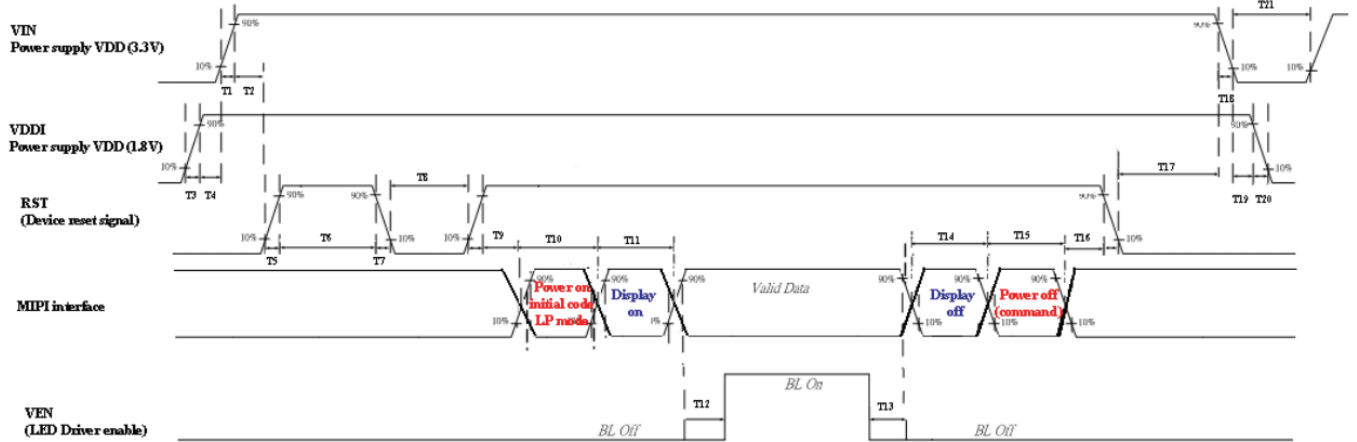
G101EAN01.0

AU OPTRONICS CORPORATION

6.4 Power ON(Wake Up)/OFF(Stand-by) sequence

6.4.1 Power

Power on/off sequence is as follows. Interface signals and LED on/off sequence are also shown in the chart.



Power Sequence Timing

Parameter	Value		Units
	Min.	Max.	
T1	0.5	10	ms
T2	1	-	
T3	0.5	10	
T4	0	50	
T5	0	0.002	
T6	1	-	
T7	0	0.002	
T8	0.01	-	
T9	5	-	
T10	180	-	
T11	33.4	-	
T12	200	-	
T13	200	-	
T14	33.4	-	
T15	180	-	
T16	50	-	
T17	120	-	
T18	0	10	
T19	0	10	
T20	0	10	
T21	500	-	

6.4.2 MIPI Command

T10 : power on => initial code + sleep out(0x11) (by panel different)

T11 : display on (0x29)

T14 : display off (0x28)

T15 : power off => sleep in (0x10)



Product Specification

G101EAN01.0

AU OPTRONICS CORPORATION

7. Panel Reliability Test

7.1 Vibration Test

Test Spec:

- Test method: Non-Operation
- Acceleration: 1.5 G
- Frequency: 10 - 500Hz Random
- Sweep: 30 Minutes each Axis (X, Y, Z)

7.2 Shock Test

Test Spec:

- Test method: Non-Operation
- Acceleration: 220 G , Half sine wave
- Active time: 2 ms
- Pulse: X,Y,Z .one time for each side

7.3 Reliability Test

Items	Required Condition	Note
Temperature Humidity Bias	Ta= 40°C , 90%RH, 300h	
High Temperature Operation	Ta= 50°C , Dry, 300h	
Low Temperature Operation	Ta= 0°C , 300h	
High Temperature Storage	Ta= 60°C , 300h	
Low Temperature Storage	Ta= -20°C , 300h	
Thermal Shock Test	Ta=-20°C to 60°C , Duration at 30 min, 100 cycles	
ESD	Contact : ±8 KV Air : ±15 KV	Note 1

Note1: According to EN 61000-4-2 , ESD class B: Some performance degradation allowed. No data lost . Self-recoverable. No hardware failures.

Remark: MTBF (Excluding the LED): 30,000 hours with a confidence level 90%



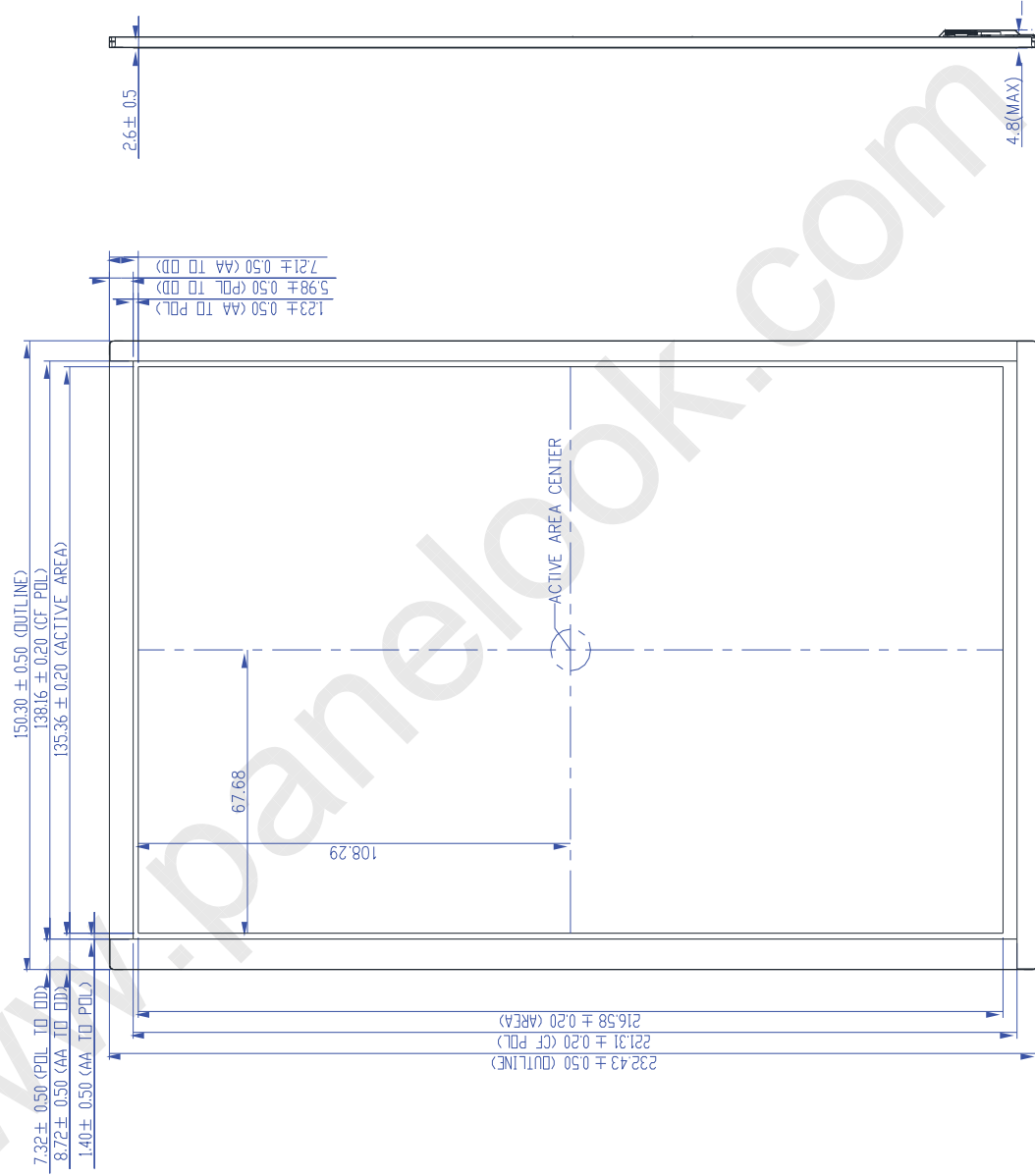
Product Specification

AU OPTRONICS CORPORATION

G101EAN01.0

8. Mechanical Characteristics

8.1 LCM Standard Outline Dimension (Front View)



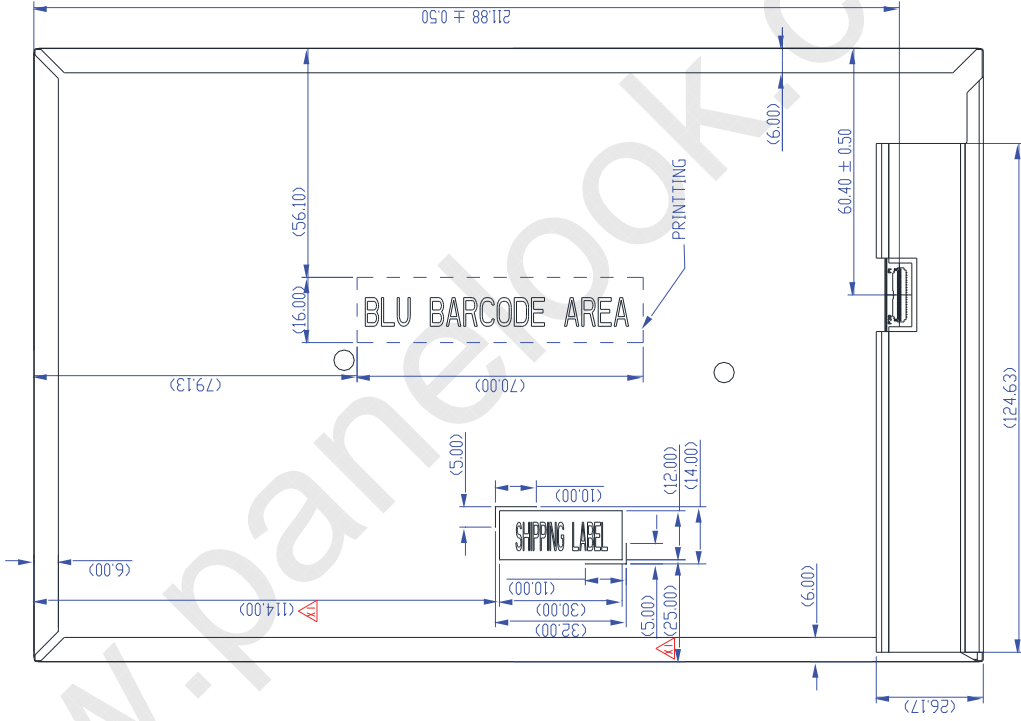


G101EAN01.0

Product Specification

AU OPTRONICS CORPORATION

8.2 LCM Standard Outline Dimension (Rear View)





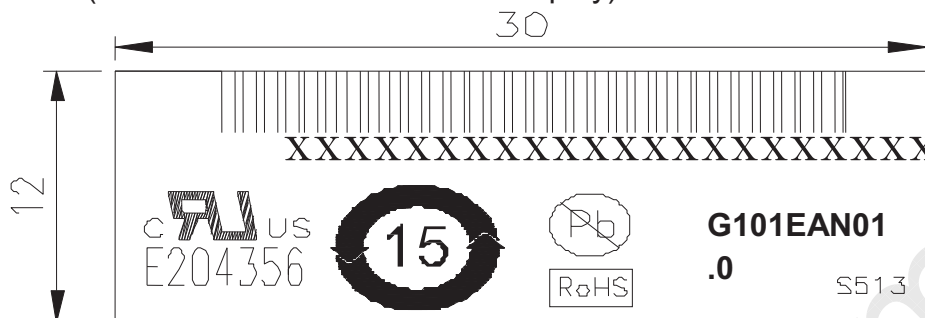
Product Specification

G101EAN01.0

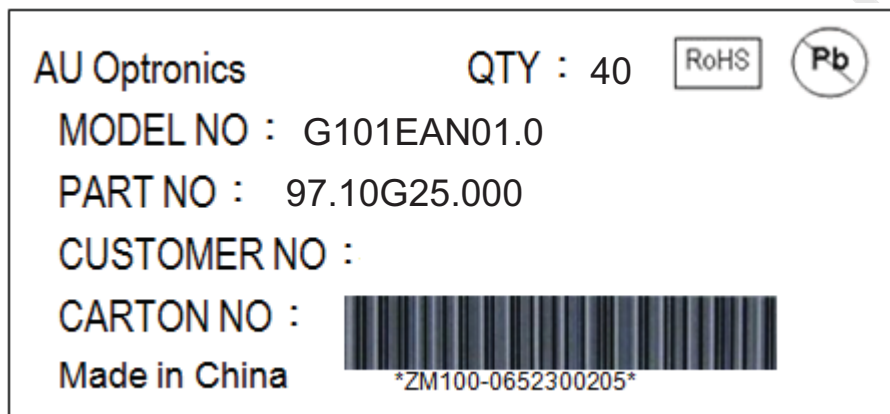
AU OPTRONICS CORPORATION

9. Label and Packaging

9.1 Shipping Label (on the rear side of TFT-LCD display)



9.2 Carton Label Format



9.3 Shipping Package of Palletizing Sequence

Pallet size : 1150mm x 840mm x 138mm

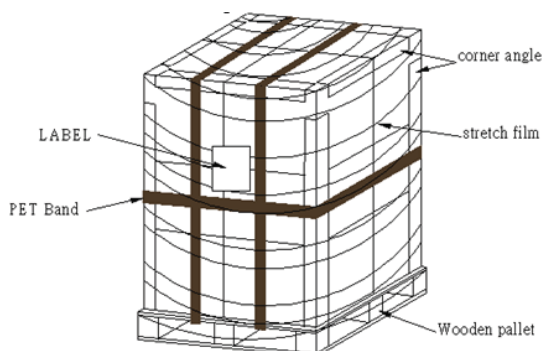
Box stacked_Max

Module by air : (2x2)x3 layers , one pallet put 12 boxes , total 480 pcs module

Module by sea : (2x2)x3 layers + (2x2)x2 layers , two pallet put 20 boxes , total 800 pcs module

Module by sea_HQ : (2x2)x3 layers + (2x2)x2 layers , two pallet put 20 boxes , total 800 pcs module

Box stacked on pallet (Picture):





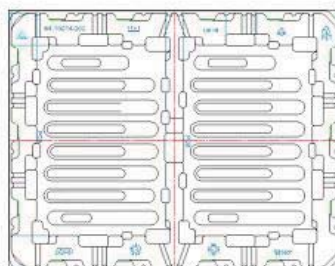
Product Specification

G101EAN01.0

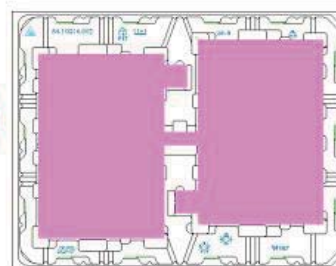
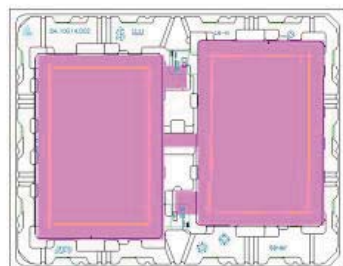
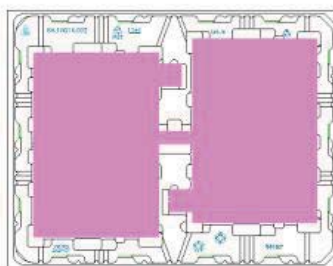
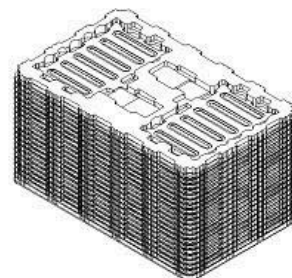
AU OPTRONICS CORPORATION



PP Board



1pcs Flat Tray

1pcs tray with
2 pcs EPE SpacerPut 2 pcs Panel
(Face down)1pcs Tray with
2pcs Panel+2pcs EPE SpacerStack flat tray one by one until 21th
pcs tray, the 21th tray is empty.Put 40 pcs Panel into
anti-static bag(use tape to fix)

Put EPE cushion into carton

Then put anti-static bag into carton
which has EPE cushion in it

Put on top EPE cushion



And use tape to fix carton